

Deflector Assembly CF100 L500

922-S7-09-00004-A-01

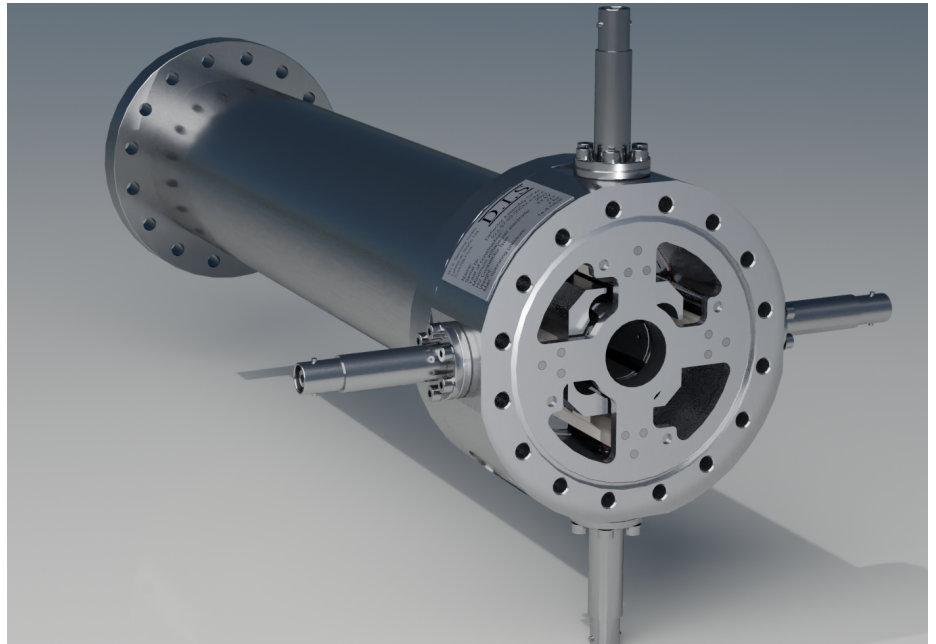
Electrostatic deflectors are ion-optical components used for the controlled steering and positioning of charged particle beams. They generate transverse electrostatic fields that deflect ions or electrons without significantly altering their kinetic energy.

A common configuration is the four-electrode deflector, consisting of four electrically insulated cylindrical electrode segments arranged symmetrically around the beam axis. Beam steering is achieved by applying opposite voltages to opposing electrode pairs, enabling controlled horizontal and vertical beam deflection.

Electrostatic deflectors can be operated over a wide pressure range, including ultra-high vacuum environments, and are compatible with a broad spectrum of charged particle energies and beam species.

further reading:

- <https://dis-germany.com/product-categories/charged-particle-beam-optics/>



Deflector Assembly CF100 L500.

Special Features:

- stainless steel housing
- DN100 CF beamline interface flange
- beam outlet flange rotatable
- 4 cylindrical electrode segments with individual high voltage feedthrough
- 4 x DN16 CF 20 kV SHV feedthrough connected to electrode
- 40 Millimeter combined electrode inner diameter
- Overall length 545 mm

Optional Supplementing Devices:

- power supply for the electrode voltages
- high voltage cable with 20 kV SHV connector
- reducer flange for in-/outlet flange

Please do not hesitate to contact us for additional support.



Address

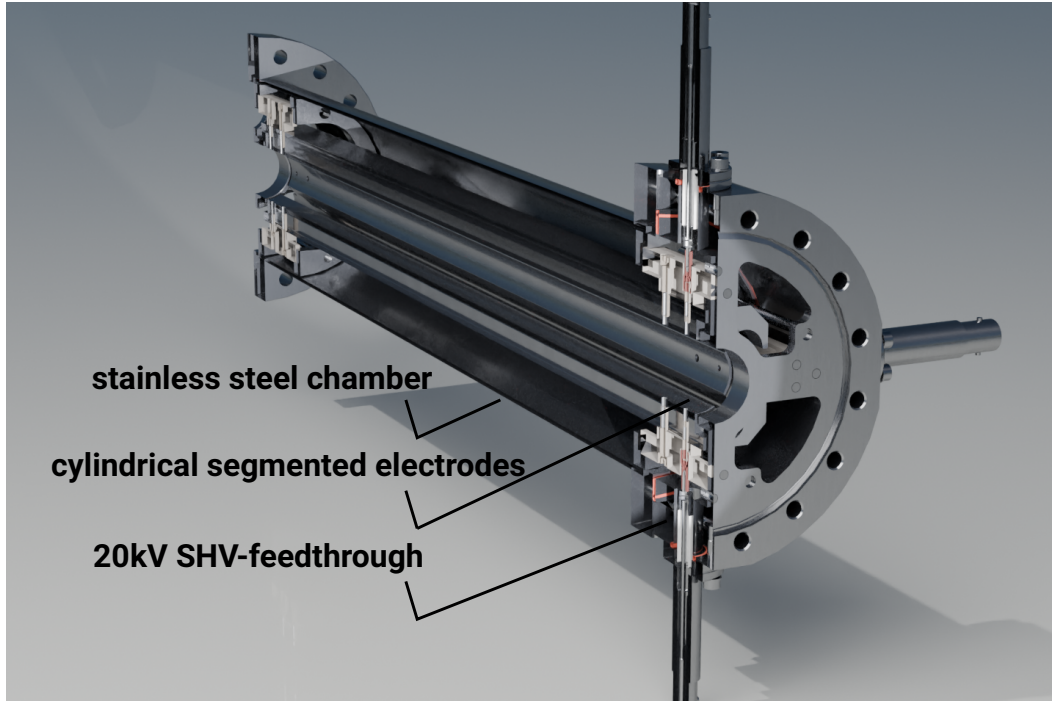
Lohmener Str. 13 d
01796 Pirna
Germany

Contact

Phone: +49 3501 5823-00
Mail: sales@dis-eng.de
Web: www.dis-germany.com

Deflector Assembly CF100 L500

922-S7-09-00004-A-01



Cross section of the Einzel lens CF 040, central mount, stainless steel

TECHNICAL DATA

maximum applicable lens voltage	± 15 kV
pressure operating range	1×10^{-10} mbar to 1×10^{-5} mbar
beamline interface flange	2 x DN100 CF
high voltage feedthrough	4 x DN16 CF
connectors	20 kV SHV connector
length of electrodes	500 mm
diameter of segmented electrodes	40 mm
flange to flange distance	545 mm
maximum bakeout temperature	120 °C
approx. box size (length x width x height)	550 mm x 300 mm x 300 mm
weight	19.5 kg



Address

Lohmener Str. 13 d
01796 Pirna
Germany

Contact

Phone: +49 3501 5823-00
Mail: sales@dis-eng.de
Web: www.dis-germany.com